

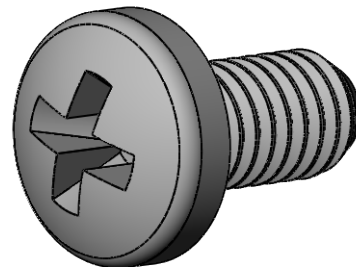
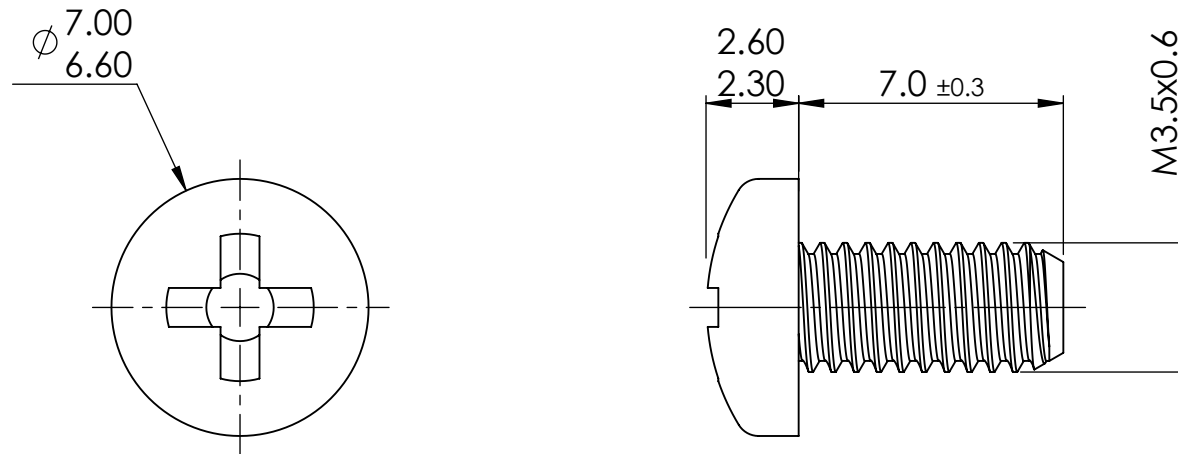
© 2013 Essentra Components. All rights reserved.  
 Registered in England, Company No. 547495.  
 Registered Office: Essentra plc  
 Langford Locks, Kidlington, Oxford, OX5 1HX

Condition of Sale can be found on our website: [essentra.com](http://essentra.com).

Essentra Components does not warrant that the files will be error free and may create new versions ("Upgrades") at any time, which may correct such errors. Essentra Components has no obligation to notify you of such upgrades. Any upgraded file will be published to the website, when it becomes available.

You are not permitted to load any of the files on to a network server for the purposes of distribution to one or more other computer(s) on that network or to effect such distribution. Essentra Components shall not be liable for any loss or damage whatsoever or however caused, arising directly or indirectly from the use of the files.

**UNCONTROLLED COPY**



STATUS

**APPROVED DRAWING**

**UNLESS OTHERWISE STATED**

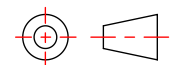
**ALL DIMENSIONS IN mm**

**DO NOT SCALE**

LINEAR TOLERANCE

THIRD ANGLE PROJECTION

SIZE	(0)	(0.0)	(0.00)
0-10	±0.5	±0.15	±0.10
>10-30	±0.5	±0.20	±0.15
>30-50	±0.5	±0.30	±0.20
>50-100	±0.8	±0.50	±0.25
>100-200	±1.5	±0.80	±0.40
>200-300	±2.0	±1.20	±0.80
>300-500	±3.0	±2.00	±1.00
>500	±5.0	±3.00	±1.50



ANGULAR TOLERANCE ±0.5 DEGREES  
 UNSPECIFIED RADII 0.25mm  
 DRAFT ANGLE 0.5 DEGREES  
 DIMENSIONS IN BRACKETS [ ] ARE  
 IN INCHES FOR REFERENCE ONLY

CREATE DATE	01.03.2021	NYLON 6/6	MATERIAL
ITEM CODE	10397824	NATURAL	COLOUR
LEGACY NUMBER	50M035060P007	-	FINISH

TITLE:  
**PAN PHILLIPS MACHINE SCREW  
 M3.5 X 7.0 MM**

DWG. No.	10397824	SCALE	SHEET	ISSUE
		5:1	1 of 2	1

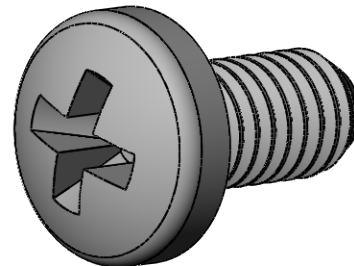
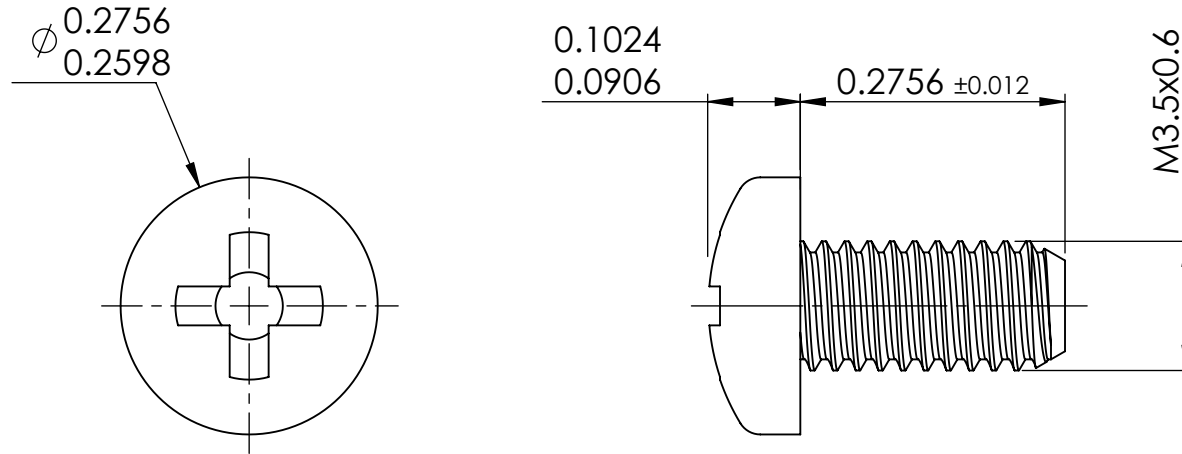
© 2013 Essentra Components. All rights reserved.  
 Registered in England, Company No. 547495.  
 Registered Office: Essentra plc  
 Langford Locks, Kidlington, Oxford, OX5 1HX

Condition of Sale can be found on our website: [essentra.com](http://essentra.com).

Essentra Components does not warrant that the files will be error free and may create new versions ("Upgrades") at any time, which may correct such errors. Essentra Components has no obligation to notify you of such upgrades. Any upgraded file will be published to the website, when it becomes available.

You are not permitted to load any of the files on to a network server for the purposes of distribution to one or more other computer(s) on that network or to effect such distribution. Essentra Components shall not be liable for any loss or damage whatsoever or however caused, arising directly or indirectly from the use of the files.

**UNCONTROLLED COPY**



STATUS

**APPROVED DRAWING**

**UNLESS OTHERWISE STATED**

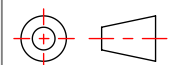
ALL DIMENSIONS IN inches

DO NOT SCALE

LINEAR TOLERANCE

THIRD ANGLE PROJECTION

SIZE	(0.00)	(0.000)	(0.0000)
0 - 0.394	$\pm$ 0.020	$\pm$ 0.006	$\pm$ 0.004
>0.394 - 1.181	$\pm$ 0.020	$\pm$ 0.008	$\pm$ 0.006
>1.181 - 1.969	$\pm$ 0.020	$\pm$ 0.012	$\pm$ 0.008
>1.969 - 3.937	$\pm$ 0.031	$\pm$ 0.020	$\pm$ 0.010
>3.937 - 7.874	$\pm$ 0.059	$\pm$ 0.031	$\pm$ 0.016
>7.874 - 11.811	$\pm$ 0.079	$\pm$ 0.047	$\pm$ 0.031
>11.811 - 19.685	$\pm$ 0.118	$\pm$ 0.079	$\pm$ 0.039
>19.685	$\pm$ 0.197	$\pm$ 0.118	$\pm$ 0.059



ANGULAR TOLERANCE  
 $\pm$ 0.5 DEGREES  
 UNSPECIFIED RADII 0.010 inch  
 DRAFT ANGLE 0.5 DEGREES  
 DIMENSIONS IN BRACKETS [ ]  
 ARE IN INCHES FOR  
 REFERENCE ONLY

CREATE DATE	01.03.2021	MATERIAL	NYLON 6/6
ITEM CODE	10397824	COLOUR	NATURAL
LEGACY NUMBER	50M035060P007	FINISH	-

TITLE:  
**PAN PHILLIPS MACHINE SCREW  
 M3.5 X 7.0 MM**

DWG. No.	10397824	SCALE	SHEET	ISSUE
		1:1	2 of 2	1